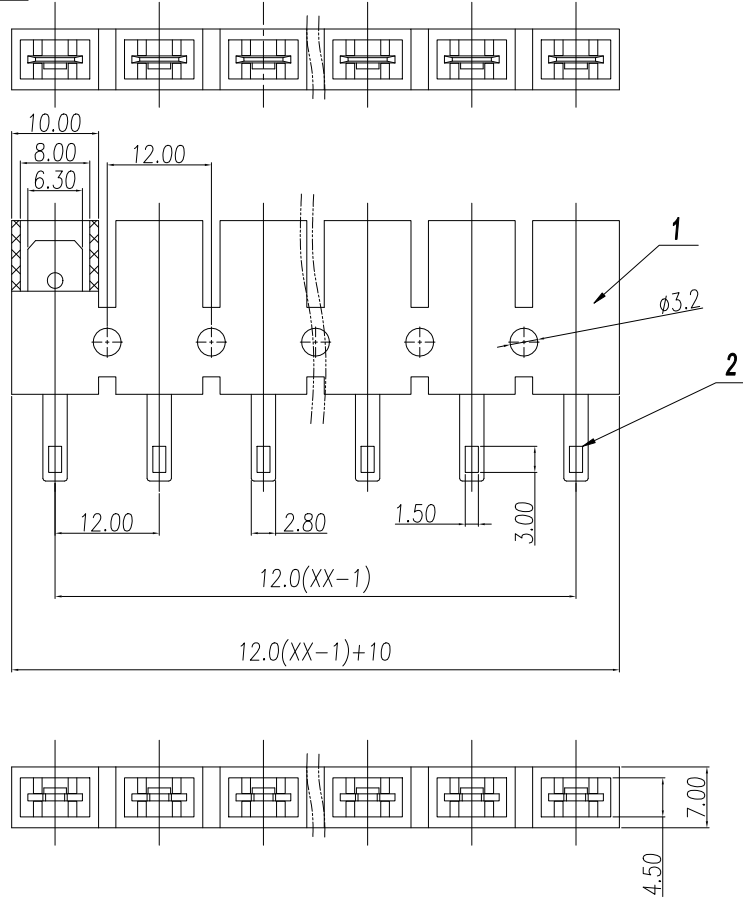
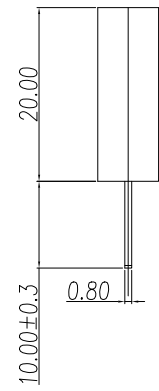
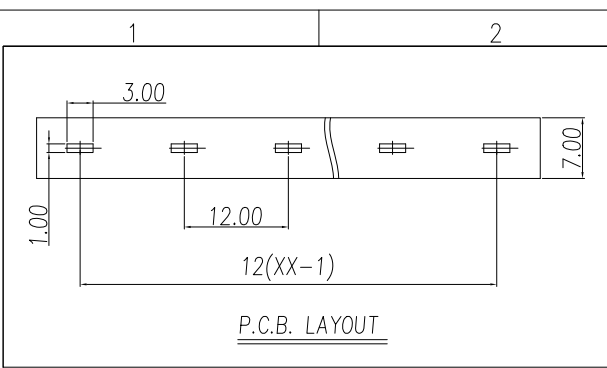


Transfer or duplication of this document as well as the utilization or communication of its contents are prohibited unless explicit authorization is granted. Violations will be liable for compensation. All rights reserved for patent, utility model or designs registrations. 除非给予明确授权，否则禁止、复制、利用、交发文件的全部内容，侵犯者将负法律责任。采用新图和外观设计专利的所有权利。



REVISION RECORD				
REV.	DESCRIPTION	ECN No.	APPROVED	DATE
V0	新发行		Wubw	26.04.03

UL/CUL 技术参数	UL1059			
UL/CUL Technical Data				
等级 Use Group	B	C	D	
额定电压 Rated Voltage [V]	300	150	300	
额定电流 Rated Current [A]	15	15	10	
接线范围 Wire Range	-			
单/多芯线 Solid/Stranded [AWG]	-			
耐电压 Withstanding Voltage	1600V/1Min			
IEC 技术参数	IEC61984			
IEC Technical Data				
过电压类别 Overvoltage Category	III	III	II	
污染等级 Contamination Class	3	2	2	
额定电压 Rated Voltage [V]	400	630	1000	
额定电流 Rated Current [A]	20	20	20	
额定冲击电压 Impulse withstand voltagea [KV]	6	6	6	
导线截面积 Conductor cross section	-			
硬质/柔性导线 Solid/flexible [mm ²]	-			
一般参数 Other Data				
间距 Pitch /极数 Poles [mm] / [P]	12.0/1~12			
工作温度 Operating temperatur [°C]	-40~105			
焊接方式 Soldering method	Wave soldering			
引针尺寸 Pin Dimensions [mm]	0.8*2.8			
PCB板孔径 PCB Hole Diameter [mm]	3.0*1.0			
2 Pin header	Copper Alloy	Sn Plated		
1 Housing	PA66	UL94V-2		
ITEM	NAME OF PART	MATERIAL	NOTES	

General Tolerances										
								—	∕	⊥
variable range	to 6	over 6 to 10	over 10 to 30	over 30 to 60	over 60 to 100	over 100 to 160	to 10	to 10	to 100	to 100
tolerance	±0.20	±0.30	±0.50	±0.70	±1.00	±1.30	±1.60	0.10	0.30	0.60

DES.	Wubw	DATE	26.04.03	UNITS	mm	THIRD ANGLE PROJECTION	
CHK.	HuHT	DATE	26.04.03	SIZE	A4	TYPE: CUSTOMER DRAWING	SHEET 1 of 1
APP.	Jason	DATE	26.04.03	SCALE	2:1	DRAWING TYPE: SP-03	REV V0
慈溪市万捷电子有限公司 CIXI WANJIE ELECTRONIC CO., LTD						PART NO.: MY120V-XXP-1Y-00A	