

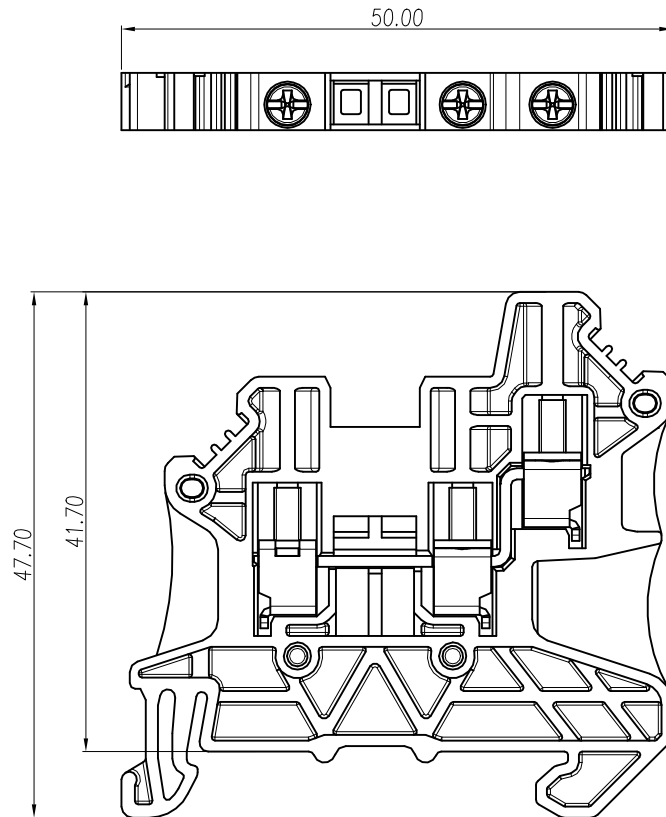


慈溪市万捷电子有限公司

CIXI WANJIE ELECTRONIC CO., LTD

REVISION RECORD

REV.	DESCRIPTION	ECN No.	APPROVED	DATE



UL/CUL 技术参数 (UL1059)				
UL/CUL Technical Data				
等级	Use Group	B	C	D
额定电压	Rated Voltage [V]	600	600	600
额定电流	Rated Current [A]	25	25	5
耐电压	Withstanding Voltage	2200V/1Min		
接线范围	Wire Range	26-12		
单/多芯线	Solid/Stranded [AWG]			
IEC 技术参数 (IEC60947-7-1)				
IEC Technical Data				
过电压类别	Overvoltage Category	III		
污染等级	Contamination Class	3		
额定电压	Rated Voltage [V]	1000		
额定电流	Rated Current [A]	24		
额定冲击电压	Impulse withstand voltagea [KV]	8		
导线截面积 Conductor cross section				
单芯	Solid [mm ²]	0.2-4		
柔性导线	flexible [mm ²]	0.2-2.5		
柔性导线带冷压头	flexible with ferrule [mm ²]	0.25-2.5		
材料 Material				
绝缘材料	Insulation Material	PA66		
阻燃等级	Imflammability	UL94 V-0		
导体材料	Contacting Material	铜合金 Copper alloy		
导体表面镀层	Contactive Coating	镀锡 Sn Plated		
一般参数 Other Data				
连接点数	connection points	3		
剥线长度	Stripping Length [mm]	8-9		
导轨类型	Type of rail	DIN 35		
螺丝	Screw/扭矩 Torque(Max) [N·m]	M2.5/0.4-0.5		
工作温度	Operating temperatur [°C]	-40~105		

白色/White	GUT2.5-103-WH-00A
红色/Red	GUT2.5-103-RD-00A
黑色/Black	GUT2.5-103-BK-00A
黄色/Yellow	GUT2.5-103-YE-00A
绿色/Green	GUT2.5-103-GN-00A
橙色/Orange	GUT2.5-103-OG-00A
蓝色/Blue	GUT2.5-103-BU-00A
灰色/Gray	GUT2.5-103-GY-00A
颜色/Color	订货号 /Order NO.

linear dimension(Tolerances Standard GB/T 14486-2008)										
variable range	to 6	over 6 to 10	over 10 to 30	over 30 to 60	over 60 to 100	over 100 to 160	to 10	over 10 to 100	over 100 to	
tolerance	±0.20	±0.30	±0.50	±0.70	±1.00	±1.30	±1.60	0.10	0.30	0.60

单位 / UNITS	mm	尺寸 / SIZE	A4	比例 / SCALE	1:1	第三视角 / THIRD ANGLE PROJECTION	版本 / REV	V0
						名称 / TITLE	GUT2.5-103-XX-00A	



慈溪市万捷电子有限公司
CIXI WANJIE ELECTRONIC CO., LTD