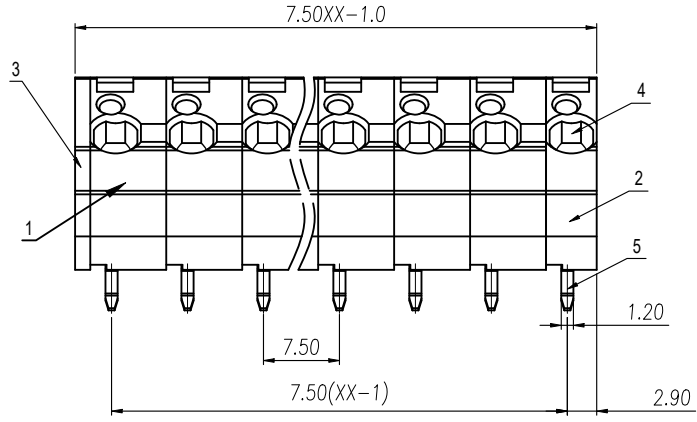
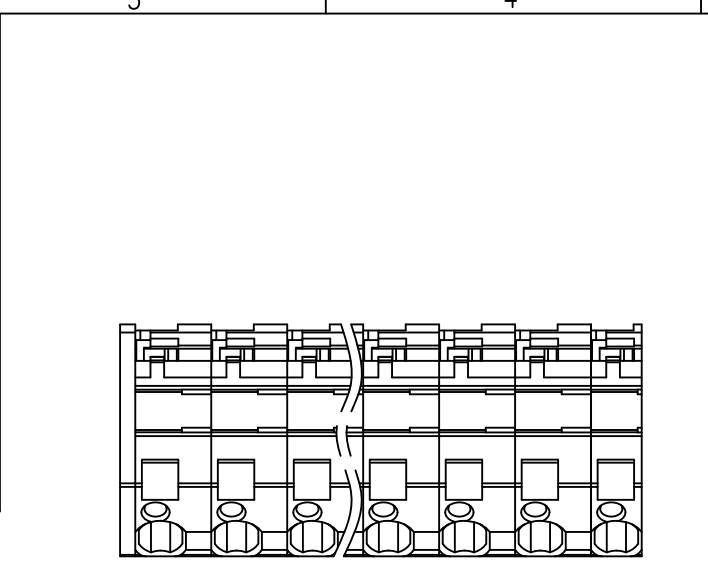
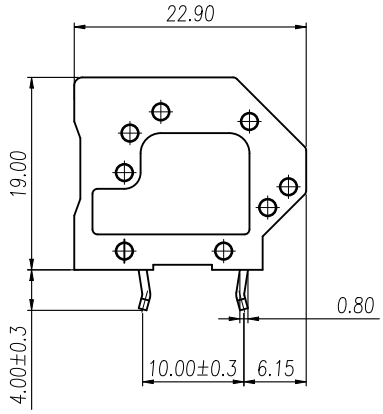
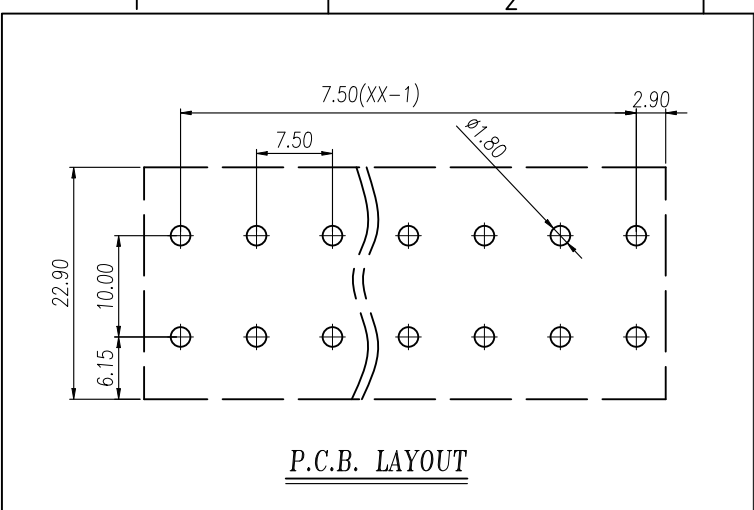


Transfer or duplication of this document as well as the utilization or communication of its contents are prohibited unless explicit authorization is granted. Violations will be liable for compensation. All rights reserved for patent, utility model or designs registrations. 除非经书面明确授权，否则禁止转让、复制、利用、交流本文件的全部内容。侵犯者将承担赔偿责任。本公司保留对涉及发明、实用新型和外观设计的所有权利。



REVISION RECORD				
REV.	DESCRIPTION	ECN No.	APPROVED	DATE
V0	新发行		Wubw	24.07.02

UL/CUL 技术参数 UL/CUL Technical Data					us		
等级	Use Group		B	C	D		
额定电压	Rated Voltage	[V]	300	150	300		
额定电流	Rated Current	[A]	20	10	10		
接线范围	Wire Range					28~12	
单/多芯线	Solid/Stranded	[AWG]					
耐电压	Withstanding Voltage		1600V/1Min				
IEC 技术参数 IEC Technical Data					IEC60947-7-4		
过电压类别	Overtoltage Category		III	III	II		
污染等级	Contamination Class		3	2	2		
额定电压	Rated Voltage	[V]	500	630	1000		
额定电流	Rated Current	[A]	32	32	32		
额定冲击电压	Impulse withstand voltagea	[KV]	6.0	6.0	6.0		
导线截面积	Conductor cross section		0.2~4.0				
硬质/柔性导线	Solid/flexible	[mm ²]					
材料 Material							
绝缘材料	Insulation Material		PA66				
阻燃等级	Imflammability		UL94V-0				
导体材料	Contactior Material		铜合金 Copper alloy				
导体表面镀层	Contactive Coating		镀锡 Sn Plated				
一般参数 Other Data							
间距	Pitch /极数 Poles	[mm]/[P]	7.5/2~24P				
剥线长度	Stripping Length	[mm]	9~10				
工作温度	Operating temperatur	[°C]	-40~105				
焊锡温度	Soldering temperature		260°C/5S				
引针尺寸	Pin Dimensions	[mm]	1.2*0.8				
PCB板孔径	PCB Hole Diameter	[mm]	Ø1.80				

General Tolerances										
variable range	to 6	over 6 to 10	over 10 to 30	over 30 to 60	over 60 to 100	over 100 to 160	over 160 to	to 10	over 10 to 100	over 100 to
tolerance	±0.20	±0.30	±0.50	±0.70	±1.00	±1.30	±1.60	0.10	0.30	0.60

ITEM	NAME OF PART	MATERIAL	NOTES
5	Pin Header	Copper Alloy	Sn Plated
4	Spring	Stainless Steel	-
3	Cover	PA66	UL94V-0
2	Housing2	PA66	UL94V-0
1	Housing1	PA66	UL94V-0

DES.	Wubw	DATE	24.07.02	UNITS	mm	THIRD ANGLE PROJECTION	
CHK.	HuHT	DATE	24.07.02	SIZE	A4	TYPE: CUSTOMER DRAWING	SHEET 1 of 1
APP.	Jason	DATE	24.07.02	SCALE	2:1	DRAWING TYPE: SP-03	REV V0
慈溪市万捷电子有限公司 CIXI WANJIE ELECTRONIC CO., LTD						PART NO.: WJ242-7.5-XXP-1Y-00A	