



M12 母头面板式, PCB型, 前锁安装



目录仅供参考, 实际规格依产品工程图为准 版本1.0

连接器系列 Connector Series: M12

| | |
|--------------------|---------------------|
| 类型 Gender | Female 母 |
| 编码 Coding | A,B,C,D |
| 装配方式 Locking Type | Fix Screw 锁螺丝 |
| 安装类型 Mounting Type | Front Fastened 前锁 |
| 产品编码 Part No | M12-X**-ST0-F01-BQ* |

技术参数 Technical Data

| | |
|----------------------------|----------------|
| 标准 Standard | IEC61076-2-101 |
| 工作温度 Ambient Temperatur | -40°C~+105°C |
| 绝缘电阻 Insulation Resistance | ≥100MΩ |
| 接触电阻 Contact Resistance | ≤5mΩ |
| 防护等级 IP Class | IP67 |

| | |
|-----------------------|--------------------|
| 机械寿命 Mating Endurance | >100 Mating Cycles |
|-----------------------|--------------------|

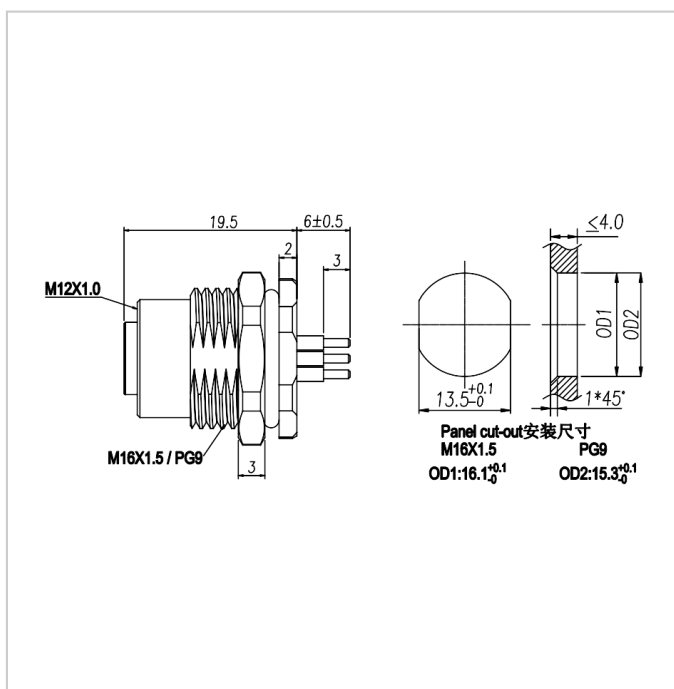
材质说明 Material Data

| | |
|-------------------------------|-------------------------------------|
| 胶芯材料 Connector Carriers | PA |
| 接触端子 Connector Contacts | Copper Alloy With Gold Plated 铜镀金 |
| 螺母/螺丝 Connector Nut/Screw | Copper Alloy With Nickel Plated 铜镀镍 |
| 屏蔽 Shielding | Unshielded 非屏蔽 |
| 密封胶圈 Seal/O-Ring | FKM 氟橡胶 |
| 焊脚长度 Length of the Solder Pin | 6mm |

电气参数&机械参数 Electrical Data & Mechanical Date

| | | | | | | | |
|---------------------------|-------------|---------|-------|-------|-------|-------|-------|
| Pin数 Contacts Pin [Pins] | 3 | 4 | 5 | 6 | 8 | 12 | 17 |
| 额定电流 Rated Current [A] | 4 | 4 | 4/2 | 2 | 2 | 1.5 | 1.5 |
| 电压 Voltage AC/DC [V] | 250/250 | 250/250 | 60/60 | 30/30 | 30/30 | 30/30 | 30/30 |
| | 0 | 0 | | | | | |
| 连接方式 Contacts Termination | PCB Version | | | | | | |

尺寸图



PCB开孔图

