

7/8" Female Panel Mount, Front Fastened, With wires



The catalog is for reference only. The actual specifications are subject to the product engineering drawings. version 1.0

Connector Series: 7/8"

Gender	Female
Coding	A
Locking Type	Fix Screw
Mounting Type	Front Fastened
Part No	M87-A**-ST0-F02-BQ2-XXX

Technical Data

Ambient Temperatur	-25°C~+85°C
Insulation Resistance	≥100MΩ
Contact Resistance	≤5mΩ
IP Class	IP67

Mating Endurance

>100 Mating Cycles

Material Data

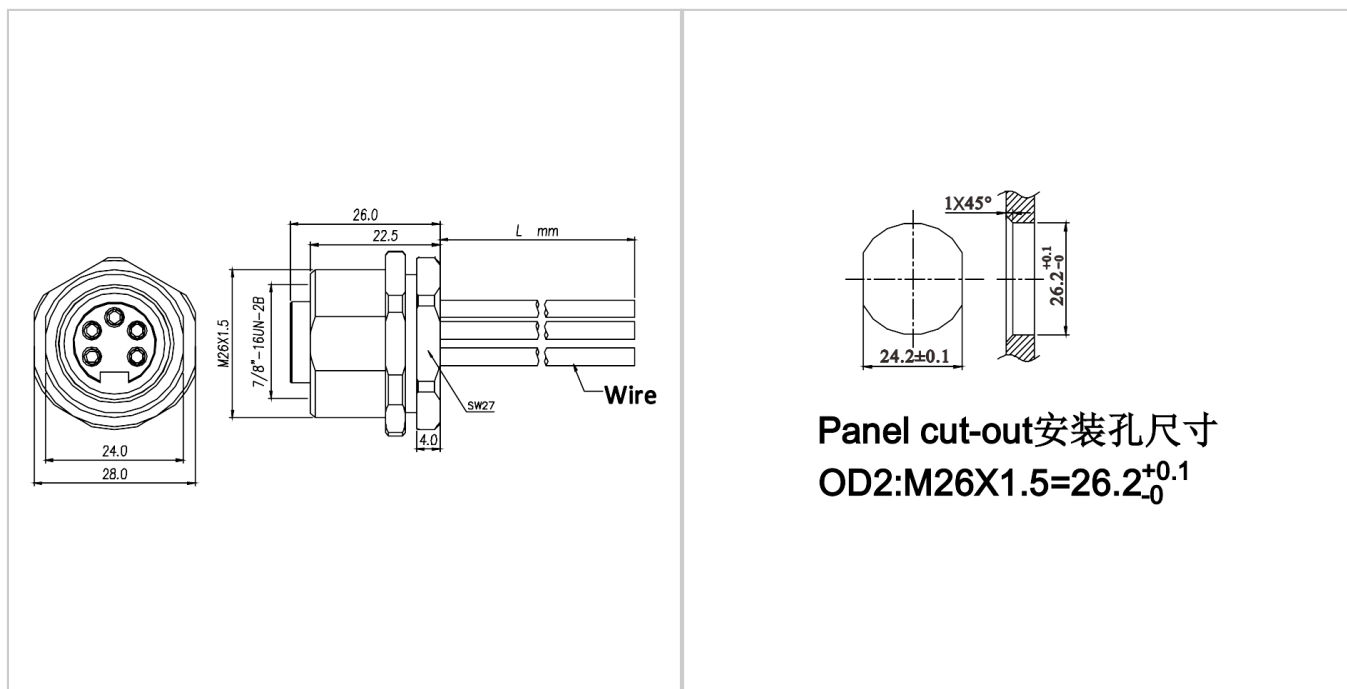
Connector Carriers	PA
Connector Contacts	Copper Alloy With Gold Plated
Connector Nut/Screw	Copper Alloy With Nickel Plated
Shielding	Unshielded
Seal/O-Ring	FKM

Electrical Data & Mechanical Date

Contacts Pin [Pins]	2	3	4	5
Rated Current [A]	13	13	13	8
Voltage AC/DC [V]	300/300			
Wire Range AWG/mm ²	18/1.0			

Dimensions

PCB hole diagram



The image contains two technical drawings. On the left, a perspective view of the connector shows a hexagonal front face with four pins. Dimensions include a diameter of 24.0 mm and an outer diameter of 28.0 mm. A side view shows a length of 26.0 mm, a distance of 22.5 mm from the front face to the start of the pins, and a pin length of 4.0 mm. The nut is labeled 'SW27' and the pins are labeled 'Wire'. On the right, a PCB hole diagram shows a circular hole with a diameter of 24.2±0.1 mm and a depth of 26.2^{+0.1}₋₀ mm. The hole has a chamfered edge with a 1X45° angle.

Panel cut-out 安装孔尺寸
OD2:M26X1.5=26.2^{+0.1}₀

Accessories



M87-A**-ST0-M02-BC*-XXX



M87-A**-RA0-M02-BC*-XXX



M87-A**-ST0-MF2-BT*-XXX



M87-A**-ST0-MF2-BTF