

Rated current: 20A

Rated voltage: 300V

Use wire diameter: 24-12AWG



The catalog is for reference only. The actual specifications are subject to the product engineering drawings. version 1.0

UL (1059)

Use Group	B	C	D
Rate Voltage [V]	300	300	300
Rated Current [A]	20	20	5
Wire Range [AWG]	24-12		

IEC (60947-7-1)

Rated Voltage [V]	500
Rated Current [A]	24
Soild [mm ²]	0.2-4.0
Flexible [mm ²]	0.2-2.5
Flexible with ferrule [mm ²]	0.25-1.5

Overvoltage Category	III
Contamination Class	3
Impulse withstand voltage [KV]	8

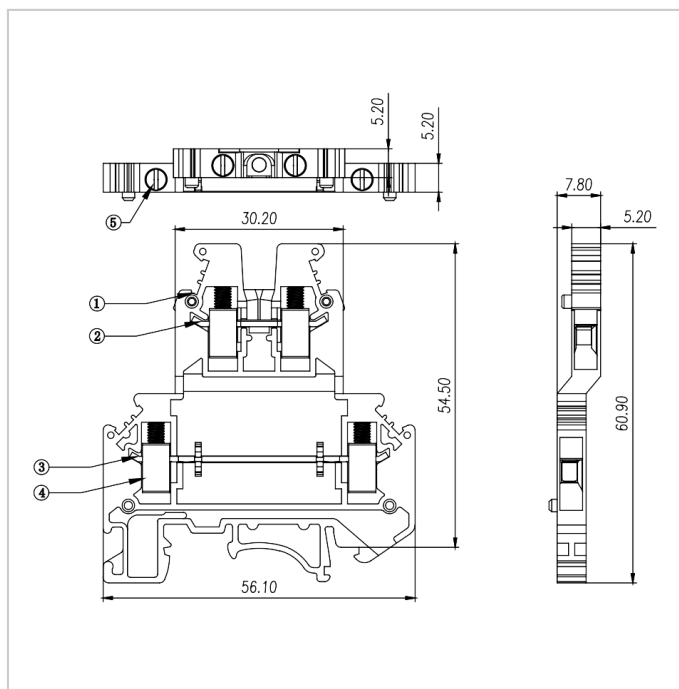
Material

Insulation Material	PA66
Flame retardant rating	UL94V-0
Conductor Material	Copper alloy
Plating of conductor surface	Ni plated

Other Date

Length/Height/Thickness [mm]	56.1/60.9/5.2
Stripping Length [mm]	8-9
Screw/Torque [N.m]	M3/0.6-0.8

Dimensions



Accessories



D-GUKK3/5-202



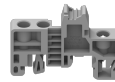
DP-GUKK3/5-202



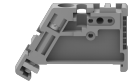
DG-GUKK3/5-202



MUV2.5-10



EB-35



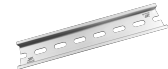
EW-35



EC-35



DGL2-35x7.5A



DGL2-35x7.5B



DGL2-35x7.5C



DGL2-35x7.5D