



固定式连接器  
 额定电流: 8 A  
 额定电压: 300 V  
 使用线径: 28-16 AWG  
 间距: 3.5 mm



目录仅供参考，实际规格依产品工程图为准 版本1.0

### 技术数据-UL/CUL

| 等级 Use Group                     | B     | C | D   |
|----------------------------------|-------|---|-----|
| 额定电压 Rate Voltage [V]            | 300   | - | 300 |
| 额定电流 Rated Current [A]           | 8     | - | 8   |
| 接线范围 Wire Range [AWG]            | 28~16 |   |     |
| 耐电压 Dielectric Voltage-Withstand | 1.6KV |   |     |

### 技术参数-IEC

| 过电压类别 Overvoltage Category                            | III     | III | II  |
|---|---------|-----|-----|
| 污染等级 Contamination Class                              | 3       | 2   | 2   |
| 额定电压 Rated Voltage [V]                                | 160     | 250 | 250 |
| 额定电流 Rated Current [A]                                | 8       | 8   | 8   |
| 额定冲击电压 Impulse withstand voltage [KV]                 | 2.5     | 2.5 | 2.5 |
| 导线截面积[硬/柔] Conductor cross section [mm <sup>2</sup> ] | 0.2~1.0 |     |     |

### 材料 Material

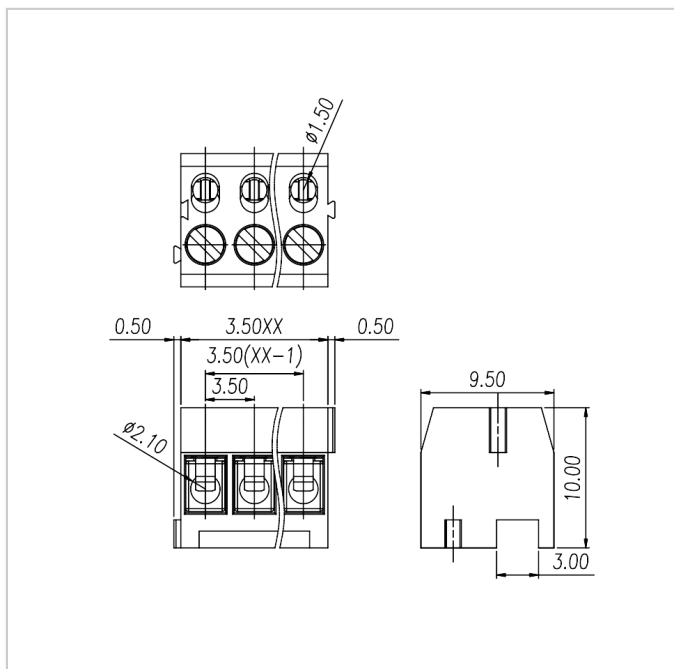
|                          |      |
|--------------------------|------|
| 绝缘材料 Insulation Material | PA66 |
|--------------------------|------|

|                                     |              |
|-------------------------------------|--------------|
| 阻燃等级 Flame retardant rating         | UL94V-0      |
| 导体材料 Conductor Material             | Copper alloy |
| 导体表面镀层 Plating of conductor surface | Sn plated    |

### 一般参数 Other Data

|                                 |          |
|---------------------------------|----------|
| 间距/极数 Pitch/Poles [mm]/[P]      | 3.5/2~24 |
| 剥线长度 Stripping Length [mm]      | 5~6      |
| 螺丝/扭矩 Screw/Torque(Max)[N.m]    | M2/0.2   |
| 工作温度 Operating temperature [°C] | -40~+105 |
| 焊锡温度 Soldering temperature      | /        |
| 引针尺寸 Pin dimensions [mm]        | /        |
| PCB板孔径 PCB Hole Diameter [mm]   | /        |

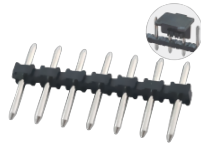
### 尺寸图



### 配件



WJ333J-3.5



WJ333J-THR-3.5