



PCB connector
 Rated current: 35 A
 Rated voltage: 300 V
 Wire range: 30-10 AWG
 Pitch: 7.62 mm

For reference only!version1.0

UL/CUL

Use Group	B	C	D
Rate Voltage [V]	300	300	600
Rated Current [A]	35	35	5
Wire Range [AWG]	30-10		
Dielectric Voltage-Withstand	1.6KV		

IEC

Overvoltage Category	III	III	II
Contamination Class	3	2	2
Rated Voltage [V]	400	630	1000
Rated Current [A]	20	20	20
Impulse withstand voltage [KV]	6	6	6
Conductor cross section[solid/flexible] [mm²]	0.2-4.0		

Material

Insulation Material	PA66
---------------------	------

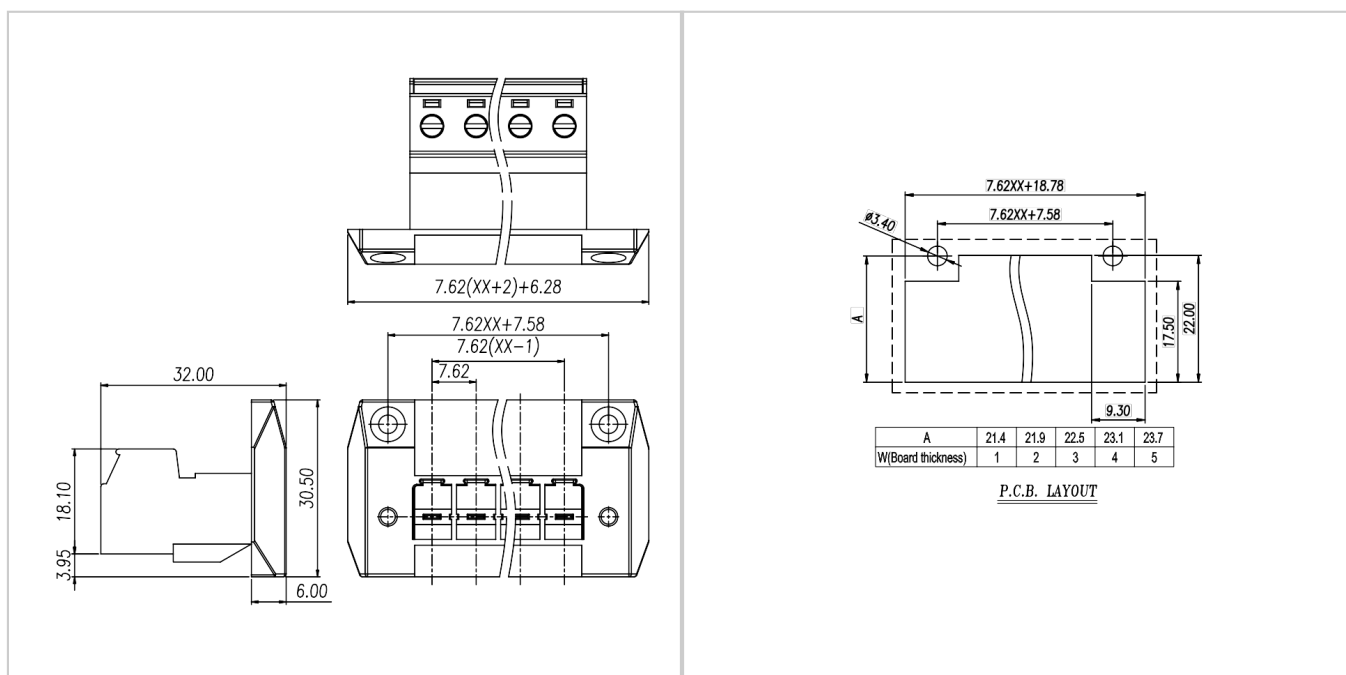
Flame retardant rating	UL94V-0
Conductor Material	Copper alloy
Plating of conductor surface	Sn plated

Other Data

Pitch/Poles [mm]/[P]	7.62/2-12
Stripping Length [mm]	7-8
Screw/Torque(Max)[N.m]	M3/0.5
Operating temperature [°C]	-40°C~+105°C

Dimensions

PCB opening diagram



Accessories



[WJ3EDGKM-7.62](#)



[WJ3EDGKHM-7.62](#)



[WJ3EDGA-7.62](#)



[WJ3EDGB-7.62](#)