

For reference only!version1.0

### CUL Technical Data (UL1059 )

Use Group	B	C	D
Rated Voltage [V]	300	300	600
Rated Current [A]	15	15	5
Wire Range	26-14		

### IEC Technical Data (IEC 60947-7-1)

Overvoltage Category	III
Contamination Class	3
Rated Voltage [V]	500V
Rated Current [A]	16A
Impulse withstand voltage	6KV

### Conductor cross section

Soild	0.2-1.5mm <sup>2</sup>
Flexible	0.2-1.5mm <sup>2</sup>
Flexible with ferrule	0.2-1.0mm <sup>2</sup>

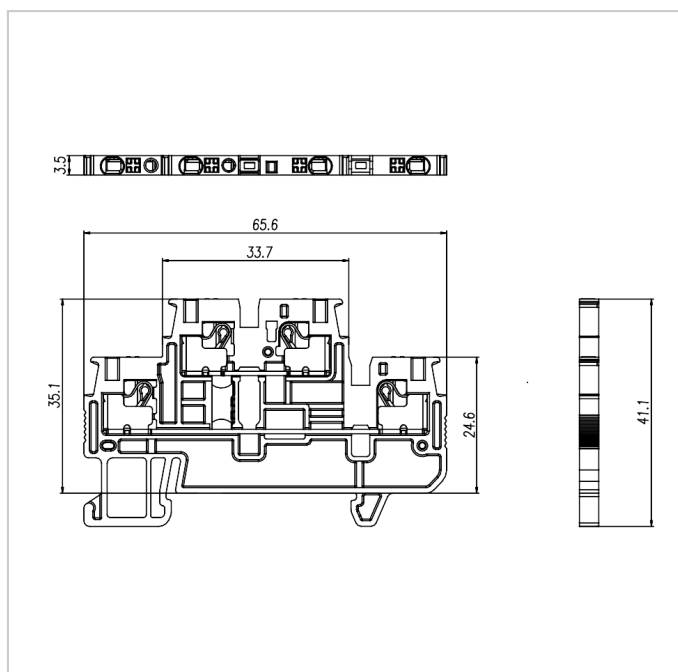
### Material

Insulation Material	PA66
Flame retardant rating	UL94V-0
Conductor Material	Copper alloy
Plating of conductor surface	Sn plated

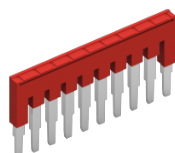
### Other Data

Length/Height/Thickness [mm]	65.6/41.1/3.5
Stripping Length [mm]	8-10

### Dimensions



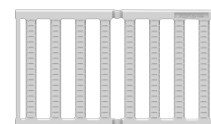
### Accessories



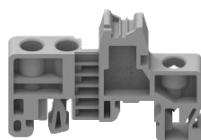
[FUVA1.5-XX](#)



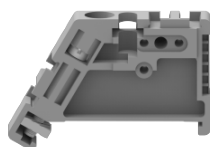
[DUV1.5-202](#)



[PUV1.5-144](#)



[EB-35](#)



[EW-35](#)



-  
[DGS1-35x7.5W4.2x12](#)



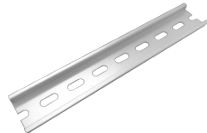
-  
[DGS1-35x7.5W5.2x15](#)



-  
[DGS1-35x7.5W](#)



-  
[DGL2-35x7.5A](#)



-  
[DGL2-35x7.5B](#)



-  
[DGL2-35x7.5C](#)



-  
[DGL2-35x7.5D](#)